

AURORALIGHT

PROJECT: _____

SKU #: _____

TYPE: _____

LIGHTHAUS

IGR550505

The Lighthouse is a high-output, low-energy LED in-grade well light that features unmatched aiming ability. The quality of materials, and workmanship of this device are impressive, as is the performance.

- Field serviceable & interchangeable LED module
- Cree LED™ XLAMP® High Intensity (XP-L)
- Patented optic U.S. 10,655,799
- Ideal for driveways, hardscape, and wall-washing



CONFIGURATOR:

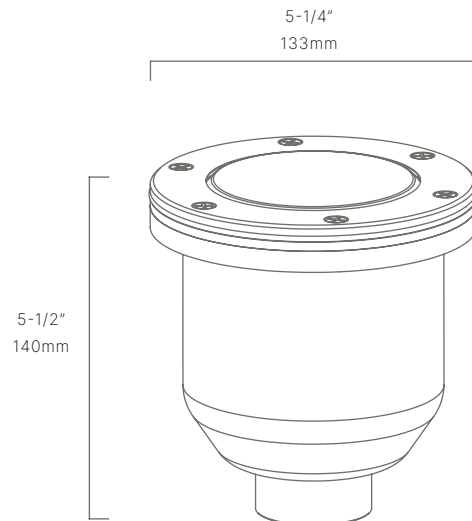
IGR550505	LED	FINISH
	<input type="text"/>	<input type="text"/>
() = Most common configuration	(2709) 2700K 9W (3009) 3000K 9W	(NAT) Natural Brass (BLP) Bronze Living Patina (BLPX) Extra Dark BLP (NI) Nickel PVD

AVAILABLE FINISHES:



FIXTURE DIMENSIONS	D5-1/4" x H5-1/2"
LIGHT SOURCE	Included LED Module
COLOR TEMPERATURES	2700K, 3000K
WATTAGES	9W
CRI (RA)	80 CRI
VOLTAGE	12V
DELIVERED LUMENS	527lm (3000K)
DIMMABLE	Yes, Dim to <10% via Transformer
DRIVER	Yes, 12V Integral Constant Current
TRANSFORMER	No, 12V AC/DC Transformer Required
MOUNT	Included Copper Housing
ACCESSORIES	Yes, Not Included
OPTICS	Yes, Included 20°, 40° & 60°
FINISH	Included Natural Brass
MATERIAL	Brass & Copper
WIRE LENGTH	24"
LOCATION	Interior & Exterior Wet
CERTIFICATIONS	UL, IP66, IP67, IC, Drive Over

*For complete warranty terms, please visit: www.auroralight.com/warranty/



P. 760.931.2910

O. 2742 Loker Ave. W Carlsbad CA 92010

W. www.auroralight.com

MADE IN USA
WITH DOMESTIC & IMPORTED MATERIALS



AURORALIGHT

PROJECT: _____

SKU #: _____

TYPE: _____

ADD-ONS

ACCESSORIES

CPK004305

Concrete Pour Kit

GB005

Glare Bezel

*For complete details, please visit auroralight.com/mounts/

ACCESSORIES



CPK004305

P. 760.931.2910

O. 2742 Loker Ave. W Carlsbad CA 92010

W. www.auroralight.com

MADE IN USA
WITH DOMESTIC & IMPORTED MATERIALS

